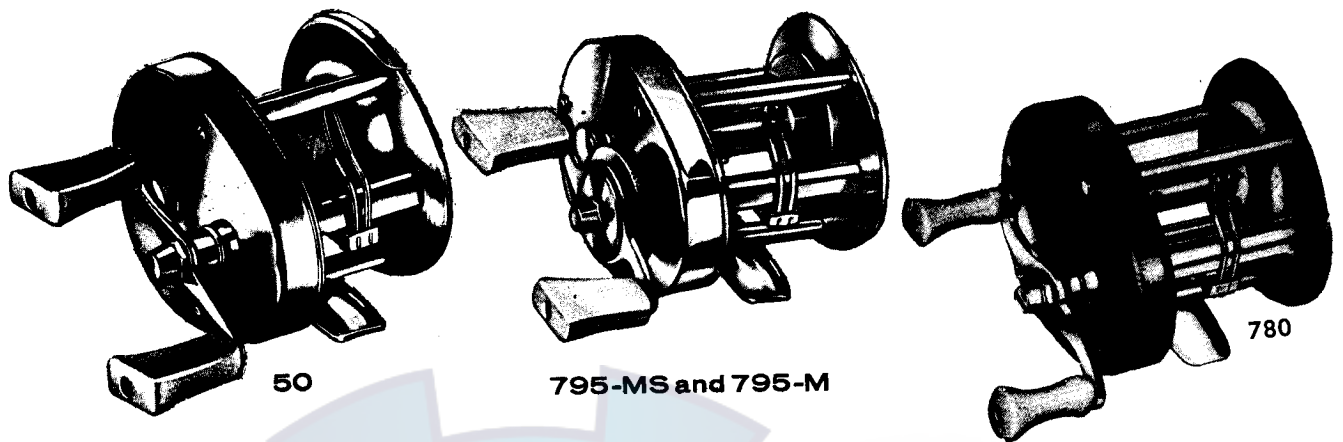


### SMOOTHCAST AND LEVEL WIND REELS



### SMOOTHCAST REEL PARTS IDENTIFICATION CHART

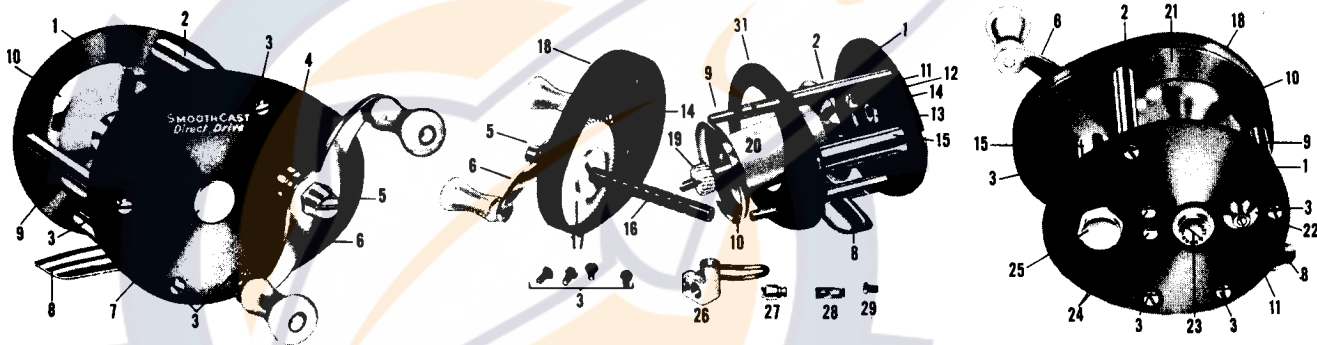


Diagram No.	Part Name	Reel 50		Reel 780		Reel 795M-A		Reel 795M-S A	
		Part No.	Price	Part No.	Price	Part No.	Price	Part No.	Price
1	Tail Plate Assembly	RE-36	\$1.50	RC-36	\$1.50	RG-36	\$2.00	RG-36	\$2.00
2	Top Pillar	RC-33	.30	RA-33	.35	RA-33	.35	RA-33	.35
3	Pillar Screw	R-18	.03	R-18	.03	R-18	.03	R-18	.03
4	Gear Stem Bearing	RB-27	.25	RB-27	.25	RB-27	.25	RB-27	.25
5	Crank Nut	RG-11	.25	RG-11	.25	RG-11	.25	RG-11	.25
6	Crank Assembly	RC-12A	1.05	RV-12	1.35	RO-12	1.05	RG-11	.25
6	Crank Drag—Sub Assembly							RP-12A	2.00
7	Head Spool Cap Assembly	RE-20	.30	RE-20	.30	RH-20	.45	RH-20	.45
8	Rod Clip	RF-31	.85	RC-31	.85	RC-31	.85	RC-31	.85
9	Side Pillar	RC-32	.30	RA-32	.30	RA-32	.30	RA-32	.30
10	Spool Assembly	R-19D	2.05	RA-19L	1.70	RX-19	4.00	RX-19	4.00
11	Click Button Stem	RA-26	E698	RA-26	1.02	RA-26	E698	RA-26	.02
12	Click Pawl	R-9	.05	R-9	.05	R-9	.05	R-9	.05
13	Click Spring	RB-10	E340	RB-10	.10	RB-10	E340	RB-10	.10
14	Spool Bushing	RA-45	PB620	RA-45	.15	R-45	PB620	RA-45	.15
15	Line Protector	RB-21	B920K	R-21	.20	R-21	PB5286	R-21	.20
16	Line Carriage Screw	RR-7		RM-7	.65	RM-7	B920K	RM-7	.65
17	Drive Gear	RP-15	N3609	RP-15	.75	RP-15	B3298K	RP-15	.75
18	Head Cap Assembly	RJ-28	1.75	RD-28	1.75	RG-28	N3609	RG-28	2.00
19	Spool Pinion	RG-17	N3610	RG-17	.35	RM-17		RM-17	.35
20	Spool Arbor Plastic	RC-34	QQ3557	R-34	.40				
22	Click Button	R-37	B708K	R-37	.10	R-37	B708K	R-37	.10
23	Tail Spool Cap Assembly	R-20	.45	R-20	.45	RH20T	.65	RHT-20T	.60
24	Click Spring Rivet	C-43	.45	C-43	.03	C-43	B5298KQ	C-43	.03
25	Carriage Screw Bushing Cap	R-25	B3761K	RA-25	.45	R-25	B3761K	R-25	.45
26	Line Carriage	RA-3	MB954K	RA-3	.55	RA-3	MB954K	RA-3	.55
27	Carriage Pawl	R-4	E2551CA	R-4	.15	R-4	E2551CA	R-4	.15
28	Carriage Pawl Retainer	R-5	B1022K	R-5	.05	R-5	B1022K	R-5	.05
29	Carriage Pawl Retainer Screw	R-6	B1012K	R-6	.03	R-6	B1012K	R-6	.03
31	Head Ring Assembly	RK-29	2.00	RD-29	1.95	RH-29	2.25	RH-29	2.25
32	Carriage Screw Tail Bushing	R-24	B958N	R-24	.20	R-24	B958N	R-24	.20
68	Crank Drag Hub							R-48	.65
69	Crank Drag Adjusting Nut							R-49	.45
70	Crank Drag Spring Washer							CB-54	.15
71	Crank Drag Washer							R-41	.15
72	Spool Bushing Holder Head	R35	B691	R-35	.10	RA35H	B5287	RA35H	.15

**IMPORTANT:** There are many models of South Bend bait casting reels now in use, e.g. 1000 A, 1000 B, 15 A, B and C, etc. As many of the parts are not interchangeable, it is of the utmost importance that the REEL MODEL NUMBER be included when ordering parts.

**DISASSEMBLY:** Three-piece take-down construction makes disassembly and reassembly simple. Removal of the four Pillar Screws (3) located around the outer edge of the Head Cap (crank side of reel) makes all assemblies accessible.

The Pawl (27) can be withdrawn from the Line Carriage (26) by removing the Screw (29) and Retainer (28) on the bottom of the Line Carriage.

Numbers shown in red common to both South Bend and Shakespeare.

**NOTE: When ordering parts, give reel part name, reel number and model.**